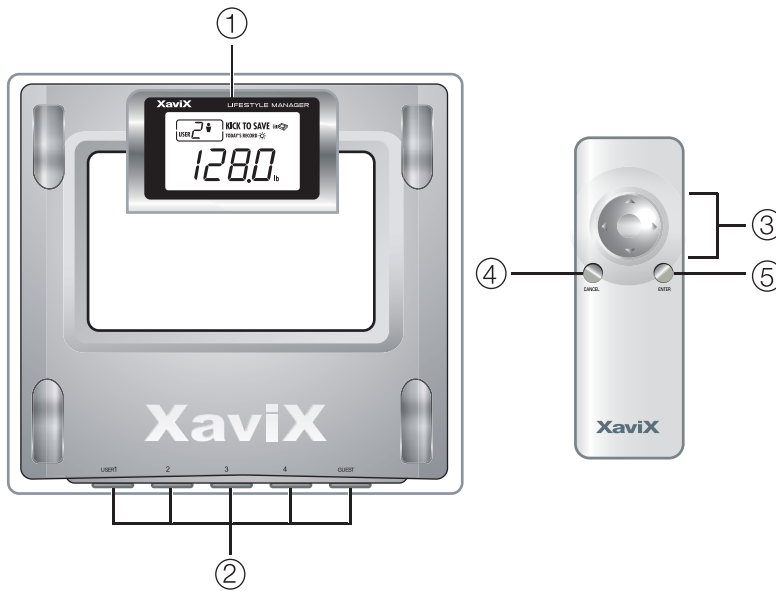


Setup

1 Description of XaviX Lifestyle Manager Scale and Remote

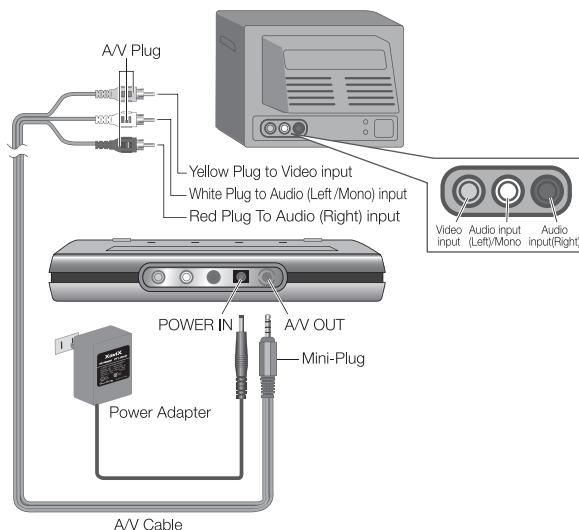
Package contents of XaviX Lifestyle Manager

XaviX Scale (1)	XLM Remote (1)	User's Guide (1)	System Cartridge (1)
Registration Card (1)	AA Battery(4)	AAA Battery(2)	Quick Set-up Guide (1)
			Serial No. Label (4)



- ① **LCD Screen**
4" viewable LCD screen
- ② **User Buttons**
5 user buttons (4 profile, 1 guest)
Select one of the 4 profile buttons that matches your user number. These buttons are also used to input date and time.
User 1: User 1 / Input Increase Button
2: User 2 / Input Decrease Button
3: User 3
4: User 4 / Cancel Button
Guest: Guest / Enter Button
- ③ **Arrow Buttons**
Press these buttons to move up or down, to the left or right between items on the screen.
- ④ **CANCEL Button**
Press this button to cancel a selection.
- ⑤ **ENTER Button**
Press this button to enter a selection on screen. Follow the on-screen instructions.

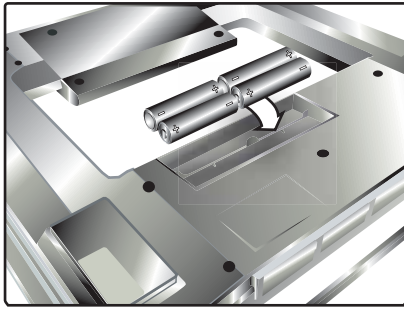
2 Setup XaviXPORT



Please be sure that the A/V mini-plug is firmly inserted into the back of the XaviXPORT.

*XaviXPORT is typically sold separately unless clearly indicated on the package that the PORT is included.

3 Insert the Batteries into the XaviX Scale and XLM Remote



1. Open the battery cover on the back of the XaviX Scale and the XLM Remote.
2. Slide the four AA batteries into the XaviX Scale or two AAA batteries into the XLM Remote making sure that the + and - ends are facing the correct direction.
3. Close the battery covers.



4 Setup the Scale



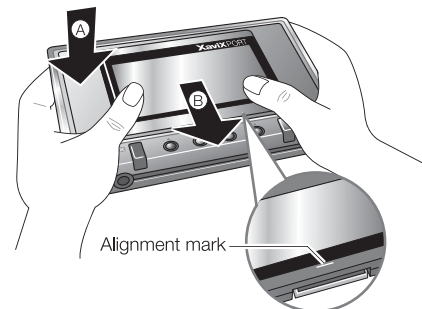
Setting Date and Time on the Scale:

User 1 button will increase numbers, User 2 button will decrease numbers, User 4 button will cancel your input and Guest button will enter information. User 3 button is inactive during this process.

NOTE:

You must set date and time upon first use of the Scale. If the batteries are removed for an extended period of time, or if the battery life expires, you will need to reset the date and time.

5 Insert System Cartridge



Insert the Cartridge into the PORT and slide the Cartridge towards the front of the PORT. Press the PORT power switch and check to be sure the green power light is on.

NOTE:

To receive your weight data from the Scale, you must create your user profile on the Title Screen. Please see page 27 of the User's Guide for more information about creating your user profile.

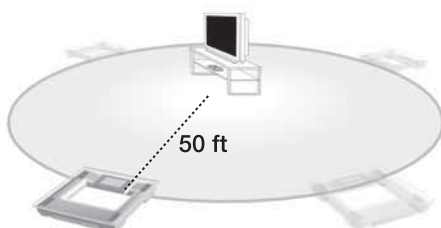
6 Step on the Scale

Select the button on the Scale that matches your user number. Step on the Scale after 0.0 lb is shown on the LCD screen. After "KICK TO SAVE" is displayed, please select any key on the Scale to continue.

How to Use the XaviX Lifestyle Manager

1 Distance and Angle.

XaviX Scale (Non Line of Sight)



We recommend these interactive distances.

XLM Remote (Line of Sight)

